

# SCENIC DETAILS®

## DUMP TRUCK (1 1/2 TON FEDERAL) D247



### GENERAL INSTRUCTIONS

**Clean and Fit Castings** - Castings have parting lines, flash and stems that should be removed. Scrape off with a hobby knife, file or sand. If Castings do not align properly, fit them by removing metal with a hobby knife or file. Castings are somewhat brittle and should be handled carefully. If Castings are bent or warped, straighten by placing on a flat surface and pushing down high areas. Prior to gluing and painting, wash Castings in warm, soapy water, rinse and let dry.

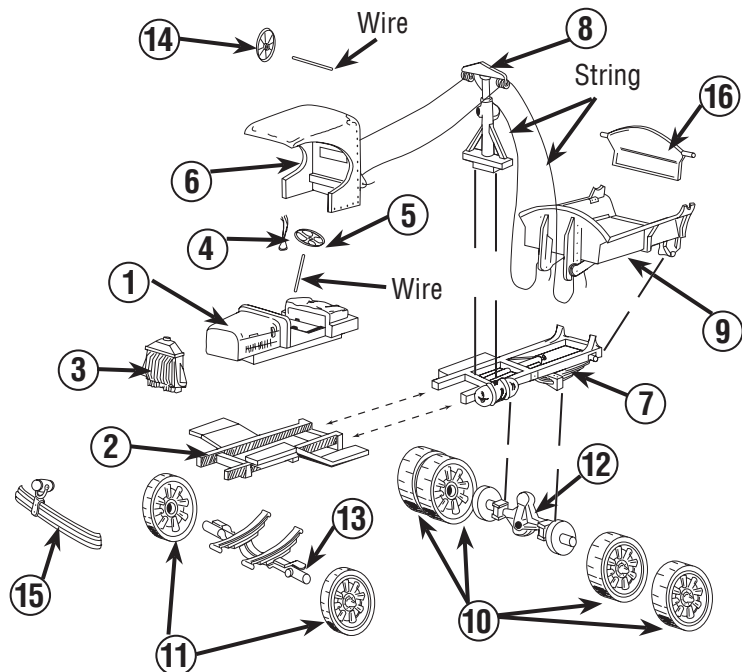
**Glue Castings** - Glue Castings with cyanoacrylate adhesive (CA glue /super glue) or a fast-setting epoxy.

**Prime and Paint Castings** - Prime all Castings and let dry. If primer beads on Casting, touch paintbrush to a bar of wet soap and then dip in paint. This will help break surface tension of paint, allowing it to adhere to the casting. We recommend painting Castings with high quality, matte hobby paints. Plan ahead. It is often easier to paint Castings prior to assembly. Scrape paint from glue points.

### INSTRUCTIONS

**Before assembly, read General Instructions.**

1. Clean and fit Castings.
2. Prime and paint as desired. Let dry completely.
3. Assemble and glue Parts 1 and 2. Fit the bottom plate on Part 1 between the side frame pieces on Part 2, then slide forward until plate touches front frame cross piece.
4. Glue Part 3 to Part 1.
5. Trim and glue Part 4 to center of floorboard on Part 1.
6. Cut a piece of Wire 1/4" in length to make steering column. Glue it to Part 5 and floorboard indentation in Part 1.
7. Glue Part 6 to Part 1.
8. Glue Part 8 to Part 7, then Part 7 to Part 2 (align main frame).
9. Glue Part 9 to Part 7. Glue in dumping position, if desired.
10. Glue Parts 10 x4 into two pairs. Glue each pair to Part 12. **NOTE:** Parts 10 are larger than Parts 11.
11. Glue Parts 11 x2 to Part 13.
12. Glue Part 12 to Part 7 and Part 13 to Part 2.
13. Cut a piece of Wire 3/16" in length and glue to Part 14 and then into indentation on side of Part 8.
14. Glue Parts 15 and 16 in place.
15. Thread String through Pulleys and glue in place.



**CAUTION:** Tools recommended. Use with care.

**MODELING AND CARE INFORMATION** This kit suggests the use of materials that may stain or cause damage. Take care to cover project area and clothing appropriately. Follow recommendations for use and cleanup.

Model making product. Not a toy! Not suitable for children under 14 years! / Produit pour le modélisme. Pas un jouet! Pas adapté aux enfants de moins de 14 ans! / Producto para modelismo. No es un juguete! No adecuado para niños menores de 14 años! / Modellbauartikel. Kein Spielzeug! Nicht geeignet für Kinder unter 14!