

SCENIC DETAILS®

BRANCH LINE WATER TOWER - 241



GENERAL INSTRUCTIONS

Clean and Fit Castings - Castings have parting lines, flash and stems that should be removed. Scrape off with a hobby knife, file or sand. If Castings do not align properly, fit them by removing metal with a hobby knife or file. Castings are somewhat brittle and should be handled carefully. If Castings are bent or warped, straighten by placing on a flat surface and pushing down high areas. Prior to gluing and painting, wash Castings in warm, soapy water, rinse and let dry.

Glue Castings - Glue Castings with cyanoacrylate adhesive (CA glue /super glue) or a fast-setting epoxy.

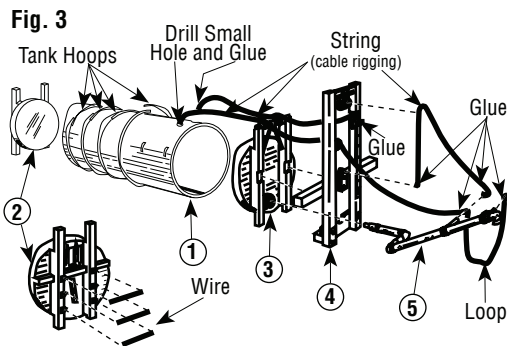
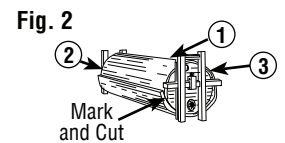
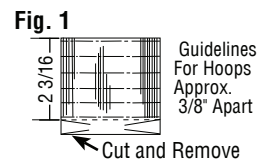
Prime and Paint Castings - Prime all Castings and let dry. If primer beads on Casting, touch paintbrush to a bar of wet soap and then dip in paint. This will help break surface tension of paint, allowing it to adhere to the casting. We recommend painting Castings with high quality, matte hobby paints. Plan ahead. It is often easier to paint Castings prior to assembly. Scrape paint from glue points.

INSTRUCTIONS

Before assembly, read General Instructions.

MAKE WOOD TANK

1. Cut Basswood Sheet to appropriate size (**Fig. 1**).
2. Draw six evenly spaced guidelines approximately 3/8" apart (**Fig. 1**). The lines will mark the location of hoops, to be applied in Step 4 of Tank Assembly.
3. Soak Basswood in a cup of very hot tap water for five minutes (keep submerged with a spoon).
4. Wrap Basswood, scribed side out, around a broom handle. Secure with three rubber bands. Let dry thoroughly (approx. 2-4 hours). **NOTE:** Be sure Basswood is not twisted and corners are aligned.
5. Wrap Basswood (Part 1) around Parts 2 and 3. Make a mark on both ends where the Basswood overlaps itself (**Fig. 2**). Put Basswood back onto broom handle and cut off excess wood with a straightedge and hobby knife.

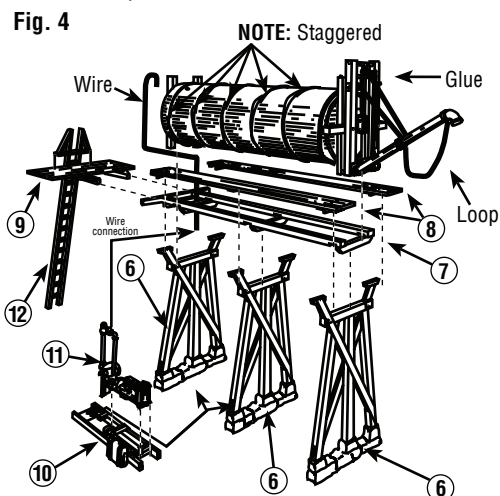


WOOD TANK ASSEMBLY

1. Clean and fit Castings.
2. Prime and paint Castings and Basswood as desired. Let dry completely.
3. Wrap Basswood (Part 1) around outside of circle on Parts 2 and 3 and hold in position. Seam on Basswood should be at the bottom. Wrap rubber bands around Part 1 to secure parts together. Align the posts on Parts 2 and 3 so they are parallel with each other (**Fig. 2**). Glue parts and remove rubber bands when glue is set.
4. Glue Parts 4 and 5 in place (**Fig. 3**).
5. Wrap String around marked guidelines on Basswood Tank (Part 1). Pull String tight, cut and glue. Repeat six times (**Fig. 3**). **NOTE:** Hoop joints should be staggered (**Fig. 4**).
6. Use the remaining String to make Cable Rigging. Thread and glue cable as shown (**Fig. 3**). **NOTE:** Thread should be pulled tight so it does not sag, except for the loop at the end of Part 5 (**Fig. 3**).
7. Glue three pieces of Wire (approx. 3/8") across the posts on Part 2 for Ladder Rungs (**Fig. 3**).

TOWER ASSEMBLY (**Fig. 4**)

1. Glue Parts 6 (x3) to Part 7.
2. Glue Tank Assembly to Part 7.
3. Glue Parts 8 (x2) and Part 9 in place.
4. Glue Part 11 to Part 10 to make Engine Pump Assembly.
5. Glue Engine Pump Assembly to rock foundation in between two of the Parts 6.
6. Form a piece of Wire to run between Engine Pump (Part 11) and Basswood Tank and glue into place.
7. Glue Part 12 (Ladder) to Part 9.



CAUTION: Tools recommended. Use with care.

MODELING AND CARE INFORMATION This kit suggests the use of materials that may stain or cause damage. Take care to cover project area and clothing appropriately. Follow recommendations for use and cleanup.

Model making product. Not a toy! Not suitable for children under 14 years! / Produit pour le modélisme. Pas un jouet! Pas adapté aux enfants de moins de 14 ans! / Producto para modelismo. No es un juguete! No adecuado para niños menores de 14 años! / Modellbauartikel. Kein Spielzeug! Nicht geeignet für Kinder unter 14!