

SCENIC DETAILS®

BACKHOE - INSLEY MODEL "K" D237



GENERAL INSTRUCTIONS

Clean and Fit Castings - Castings have parting lines, flash and stems that should be removed. Scrape off with a hobby knife, file or sand. If Castings do not align properly, fit them by removing metal with a hobby knife or file. Castings are somewhat brittle and should be handled carefully. If Castings are bent or warped, straighten by placing on a flat surface and pushing down high areas. Prior to gluing and painting, wash Castings in warm, soapy water, rinse and let dry.

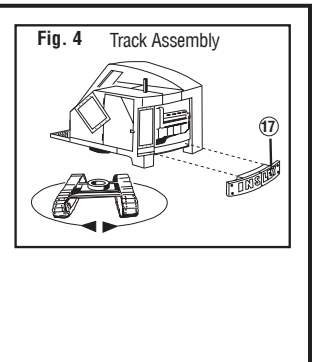
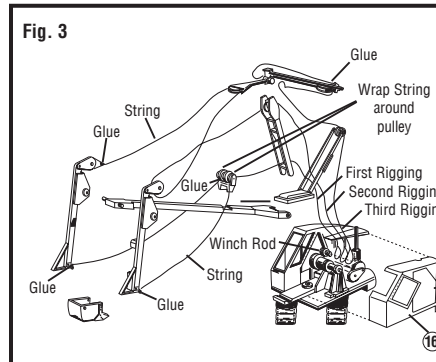
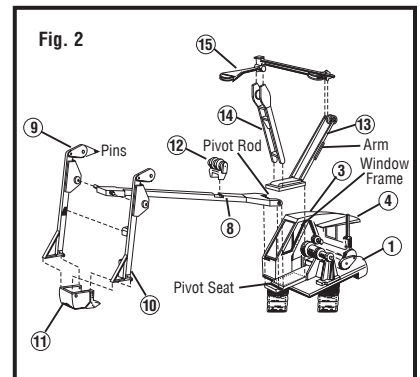
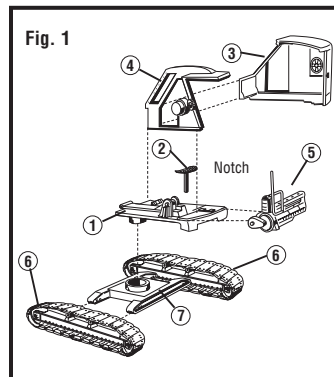
Glue Castings - Glue Castings with cyanoacrylate adhesive (CA glue /super glue) or a fast-setting epoxy.

Prime and Paint Castings - Prime all Castings and let dry. If primer beads on Casting, touch paintbrush to a bar of wet soap and then dip in paint. This will help break surface tension of paint, allowing it to adhere to the casting. We recommend painting Castings with high quality, matte hobby paints. Plan ahead. It is often easier to paint Castings prior to assembly. Scrape paint from glue points.

INSTRUCTIONS

Before assembly, read General Instructions.

1. Clean and fit castings
2. Fit Part 2 into hole on Part 1 and glue (Fig.1).
3. Assemble and glue Parts 3 and 4.
4. Glue Cab Assembly (Parts 3 and 4) to Part 1. **NOTE:** Bottom edge of Part 3 overlaps Part 1.
5. Position Part 5 so that the bottom of Engine fits into the notch on Part 1 and the Smoke Stack butts up to the top edge of Part 4, then glue.
6. Insert Part 7 into Parts 6 (x2) as far as possible and glue.
7. Fit peg on bottom of Part 2 into hole on Part 7. **DO NOT GLUE.**
8. Glue Part 12 to Part 8. Assemble Parts 8, 9 and 10. Glue Part 9 to Part 10 (Fig. 2). **DO NOT GLUE** pins on Part 8. Part 8 should pivot freely.
9. Fit ends of Parts 9 and 10 to the inside of Part 11 and glue.
10. Fit pivot rod on Part 8 into pivot seat on Part 1.
11. Fit Part 13 to Parts 1 and 4. Align arm on Part 13 to window frame on Part 4. Glue in position. **DO NOT GLUE** pivot rod.
12. Fit Parts 14 and 15 to Part 13. Glue in position.
13. Pivot Parts 8 and 10 to desired position and glue.
14. Starting with Winch Rod, string three separate riggings in order as indicated. Pull String tight so that it does not sag, then glue end (Fig. 3).
15. Fit and glue Part 16.
16. Track Assembly can rotate freely or be glued at any angle (Fig. 4).
17. Fit and glue Part 17.
18. Refer to Dry Transfer instructions before applying Dry Transfer Decals.



WINDOW AND DECAL APPLICATION INSTRUCTIONS

Read through all instructions before beginning. Sections of these instructions are not applicable to all kits.

WINDOW MATERIAL

Cut Window Material to fit over windows on inside of building. Window installation is easier when material is installed over sections of windows at one time. Cut Window Material slightly larger than opening to make installation easier. **NOTE:** Some window frames are recessed and require window material be cut to exact size.

WINDOW DECALS

Apply Decals before installing Window Material. Place Window Material behind window opening and mark outline by scoring lightly. Clean Window Material with alcohol. Position Decal in desired location and transfer as instructed (see Decal Application).

DECAL APPLICATION

Keep Decal Sheet clean and free of dust. Apply to clean, dry and dust free surfaces. Cut out desired decal. To transfer, hold carrier sheet securely and rub with Burnisher (DT600) or a dull pencil. Work from one side of the Decal to the other. The image will appear to fade as it transfers. For maximum adhesion, place the backing paper over decal and burnish again. See photo on front of instruction sheet for suggested placement of Decals.

INSTALL WINDOWS

Window Material should be installed after all painting is completed. We recommend gluing windows with white glue or super glue. Apply glue around edges of Window Material. Be careful to not get glue on visible areas. If using super glue, apply a tiny amount around edges of window material only, as clouding can occur.

APPLICATION TIPS

Plan ahead. It is sometimes easier to apply Decals prior to assembly. When applying to a textured surface, rub Decal gently with a fingertip or soft eraser to press into the recesses of the texture.

