

# SCENIC DETAILS®

## MOTOR GRADER - D234



### GENERAL INSTRUCTIONS

**Clean and Fit Castings** - Castings have parting lines, flash and stems that should be removed. Scrape off with a hobby knife, file or sand. If Castings do not align properly, fit them by removing metal with a hobby knife or file. Castings are somewhat brittle and should be handled carefully. If Castings are bent or warped, straighten by placing on a flat surface and pushing down high areas. Prior to gluing and painting, wash Castings in warm, soapy water, rinse and let dry.

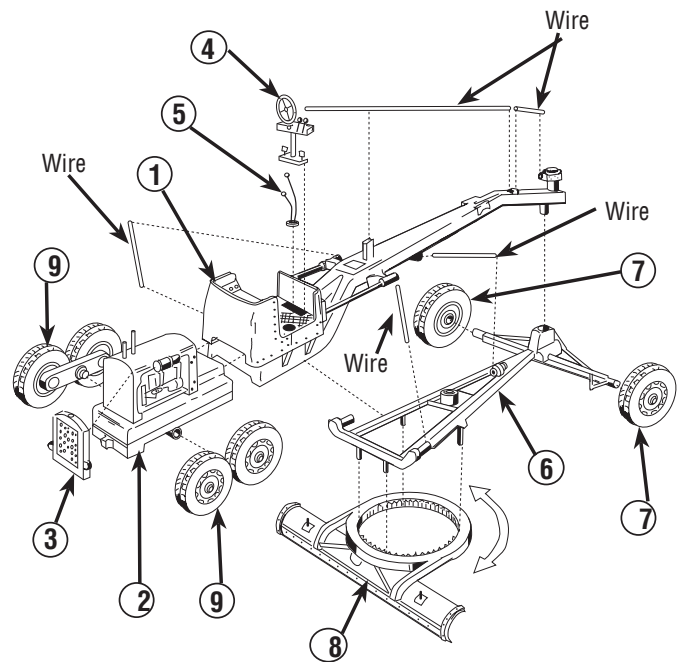
**Glue Castings** - Glue Castings with cyanoacrylate adhesive (CA glue/super glue) or a fast-setting epoxy.

**Prime and Paint Castings** - Prime all Castings and let dry. If primer beads on Casting, touch paintbrush to a bar of wet soap and then dip in paint. This will help break surface tension of paint, allowing it to adhere to the casting. We recommend painting Castings with high-quality, matte hobby paints will also work. Plan ahead. It is often easier to pre-paint Castings. Scrape paint from glue points prior to assembly.

### INSTRUCTIONS

Before assembly, read General Instructions.

1. Clean and fit Castings.
2. Prime and paint as desired. Let dry completely.
3. Test fit and glue Parts 1-5 in numerical order. This is the Body Assembly.
4. Test fit and glue Parts 6, 7 (x2) and 8. This is the Blade Assembly. The Blade may be positioned at any angle desired.
5. Insert posts on Parts 9 (x2) into axle holes on Part 2. Do not glue at this time. If Rear Tires (Parts 9) do not align with each other, rotate one Part 9 180°.
6. Place Blade Assembly on a flat, level surface.
7. Holding Parts 9 in place, position Body Assembly over Blade Assembly. Keeping Rear Wheels (Parts 9) vertical, insert pin on underside of Body Assembly into hole on Blade Assembly and glue all parts in place.
8. Straighten Wire by holding one end firmly between thumb and index finger and pulling straight along length of Wire.
9. Cut five pieces of Wire (see illustration) to appropriate length. Glue into place.



**CAUTION:** Tools recommended. Use with care.

**MODELING AND CARE INFORMATION** This kit suggests the use of materials that may stain or cause damage. Take care to cover project area and clothing appropriately. Follow recommendations for use and cleanup.

Model making product. Not a toy! Not suitable for children under 14 years! / Produit pour le modélisme. Pas un jouet! Pas adapté aux enfants de moins de 14 ans! / Producto para modelismo. No es un juguete! No adecuado para niños menores de 14 años! / Modellbauartikel. Kein Spielzeug! Nicht geeignet für Kinder unter 14!