

SCENIC DETAILS®

GRAIN TRUCK (1914 DIAMOND T) D218



GENERAL INSTRUCTIONS

Clean and Fit Castings - Castings have parting lines, flash and stems that should be removed. Scrape off with a hobby knife, file or sand. If Castings do not align properly, fit them by removing metal with a hobby knife or file. Castings are somewhat brittle and should be handled carefully. If Castings are bent or warped, straighten by placing on a flat surface and pushing down high areas. Prior to gluing and painting, wash Castings in warm, soapy water, rinse and let dry.

Glue Castings - Glue Castings with cyanoacrylate adhesive (CA glue /super glue) or a fast-setting epoxy.

Prime and Paint Castings - Prime all Castings and let dry. If primer beads on Casting, touch paintbrush to a bar of wet soap and then dip in paint. This will help break surface tension of paint, allowing it to adhere to the casting. We recommend painting Castings with high quality, matte hobby paints. Plan ahead. It is often easier to paint Castings prior to assembly. Scrape paint from glue points.

INSTRUCTIONS

Before assembly, read General Instructions.

1. Clean and fit castings. Verify parts fit flush.
2. Assemble and glue Parts 1-4 in numerical order.
3. Attach Parts 5 (x2) to Part 6. Attach Parts 7 (x2) to Part 8.
NOTE: Wide Tires go on the rear axle. File pin on rear axle until spokes contact brake drum.
4. Glue Wheel and Axle Assemblies to Frame.
5. Make Steering Column with 1/4" piece of Wire. Glue to Part 9 and indentation in floorboard.
6. Glue Part 10 to middle of floorboard.
7. Glue Part 11 to Part 1. Glue Part 12 to Part 1 and 11.
8. If desired, make a Crank (13) from Wire. Glue into notch in Part 3.
9. Assemble and glue Parts 14-17 in numerical order (**Fig. 1**).
10. Glue Bed Assembly to frame.

WINDOW AND DECAL APPLICATION INSTRUCTIONS

Read through all instructions before beginning. Sections of these instructions are not applicable to all kits.

WINDOW MATERIAL

Cut Window Material to fit over windows on inside of building. Window installation is easier when material is installed over sections of windows at one time. Cut Window Material slightly larger than opening to make installation easier. **NOTE:** Some window frames are recessed and require window material be cut to exact size.

WINDOW DECALS

Apply Decals before installing Window Material. Place Window Material behind window opening and mark outline by scoring lightly. Clean Window Material with alcohol. Position Decal in desired location and transfer as instructed (see Decal Application).

DECAL APPLICATION

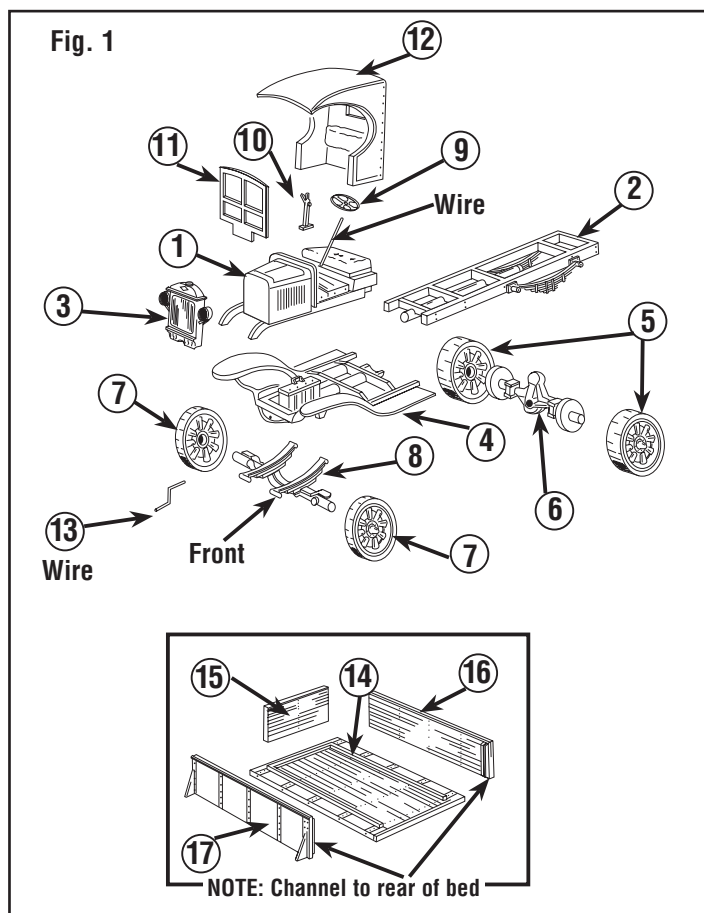
Keep Decal Sheet clean and free of dust. Apply to clean, dry and dust free surfaces. Cut out desired decal. To transfer, hold carrier sheet securely and rub with Burnisher (DT600) or a dull pencil. Work from one side of the Decal to the other. The image will appear to fade as it transfers. For maximum adhesion, place the backing paper over decal and burnish again. See photo on front of instruction sheet for suggested placement of Decals.

INSTALL WINDOWS

Window Material should be installed after all painting is completed. We recommend gluing windows with white glue or super glue. Apply glue around edges of Window Material. Be careful to not get glue on visible areas. If using super glue, apply a tiny amount around edges of window material only, as clouding can occur.

APPLICATION TIPS

Plan ahead. It is sometimes easier to apply Decals prior to assembly. When applying to a textured surface, rub Decal gently with a fingertip or soft eraser to press into the recesses of the texture.



Model making product. Not a toy! Not suitable for children under 14 years! / Produit pour le modélisme. Pas un jouet! Pas adapté aux enfants de moins de 14 ans! / Producto para modelismo. No es un juguete! No adecuado para niños menores de 14 años! / Modellbauartikel. Kein Spielzeug! Nicht geeignet für Kinder unter 14!