

# SCENIC DETAILS®

## 2 TRACTORS (1929-1938) D211



### GENERAL INSTRUCTIONS

**Clean and Fit Castings** - Castings have parting lines, flash and stems that should be removed. Scrape off with a hobby knife, file or sand. If Castings do not align properly, fit them by removing metal with a hobby knife or file. Castings are somewhat brittle and should be handled carefully. If Castings are bent or warped, straighten by placing on a flat surface and pushing down high areas. Prior to gluing and painting, wash Castings in warm, soapy water, rinse and let dry.

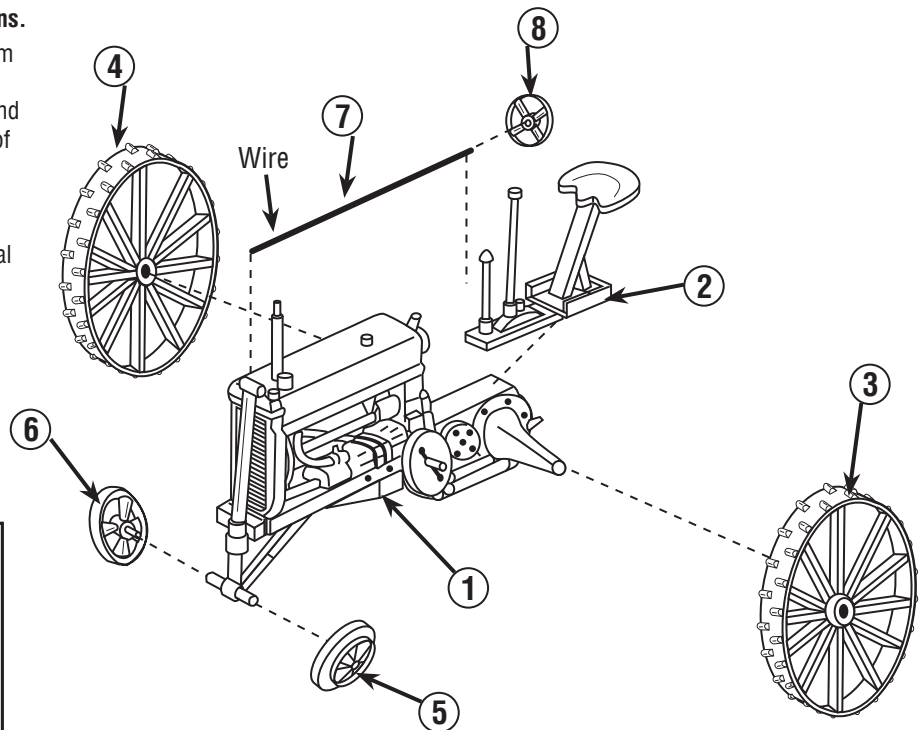
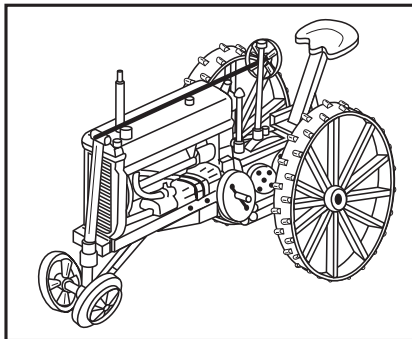
**Glue Castings** - Glue Castings with cyanoacrylate adhesive (CA glue /super glue) or a fast-setting epoxy.

**Prime and Paint Castings** - Prime all Castings and let dry. If primer beads on Casting, touch paintbrush to a bar of wet soap and then dip in paint. This will help break surface tension of paint, allowing it to adhere to the casting. We recommend painting Castings with high quality, matte hobby paints. Plan ahead. It is often easier to paint Castings prior to assembly. Scrape paint from glue points.

### INSTRUCTIONS

Before assembly, read General Instructions.

1. Clean and fit Castings. Remove flash from inside each Wheel Hub (Parts 3-6). Lay flat on a piece of fine grade sandpaper and sand hub until it is flush with outer rim of Wheel.
2. Prime and paint, as desired. Let dry completely.
3. Assemble and glue Parts 1-6 in numerical order.
4. Straighten Wire (Part 7) by holding one end firmly with thumb and index finger, then pulling straight.
5. Cut two 7/8" (2.22 cm) pieces of Wire. Glue to Part 1 and 8.



**CAUTION:** Tools recommended. Use with care.



**MODELING AND CARE INFORMATION** This kit suggests the use of materials that may stain or cause damage. Take care to cover project area and clothing appropriately. Follow recommendations for use and cleanup.

Model making product. Not a toy! Not suitable for children under 14 years! / Produit pour le modélisme. Pas un jouet! Pas adapté aux enfants de moins de 14 ans! / Producto para modelismo. No es un juguete! No adecuado para niños menores de 14 años! / Modellbauartikel. Kein Spielzeug! Nicht geeignet für Kinder unter 14!